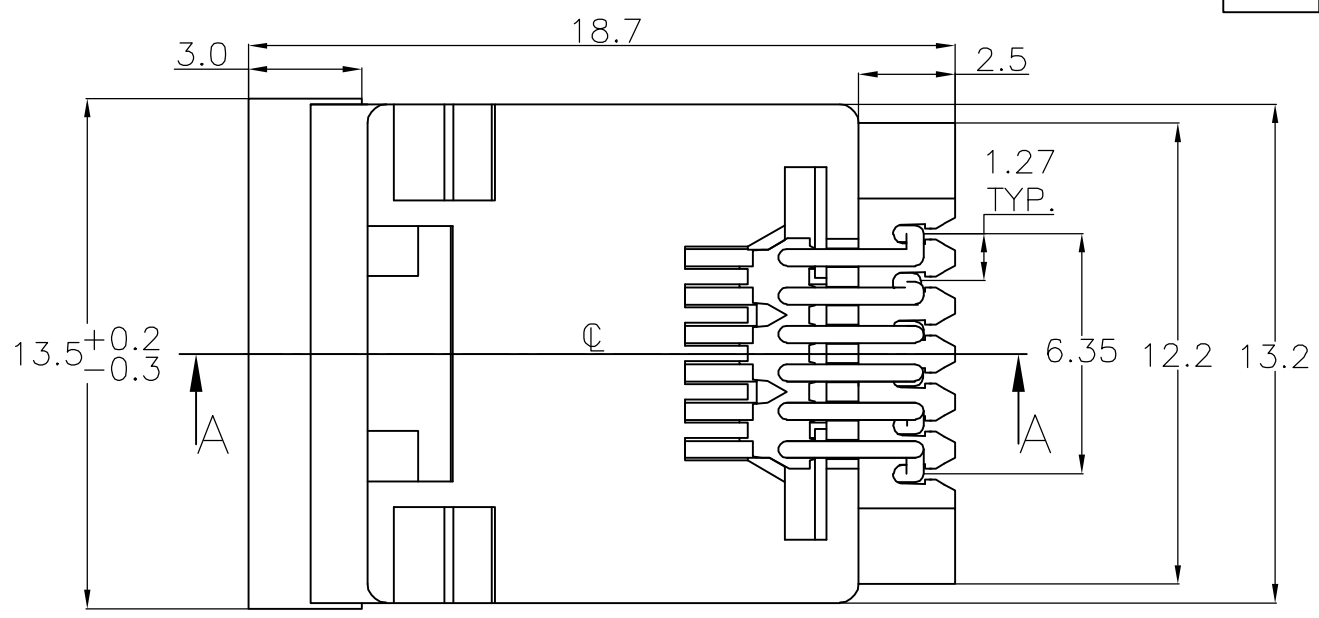
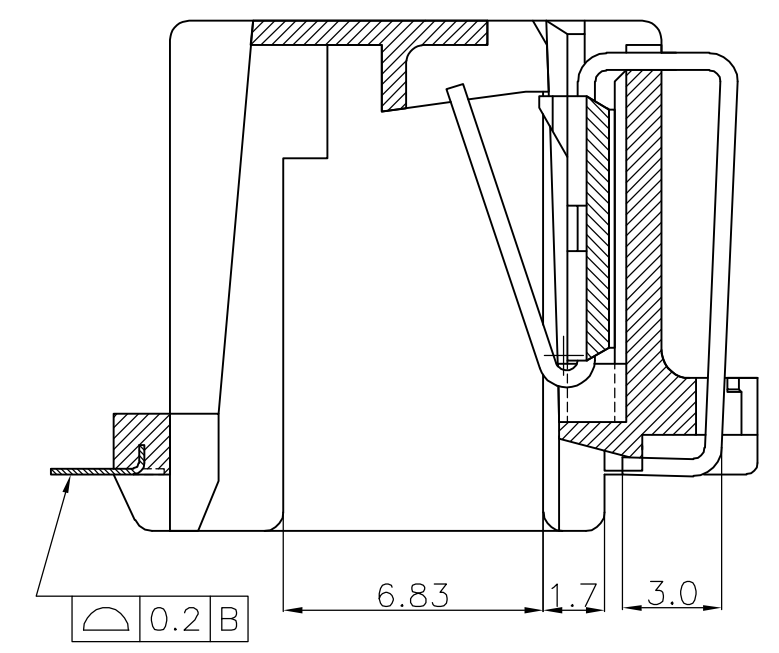
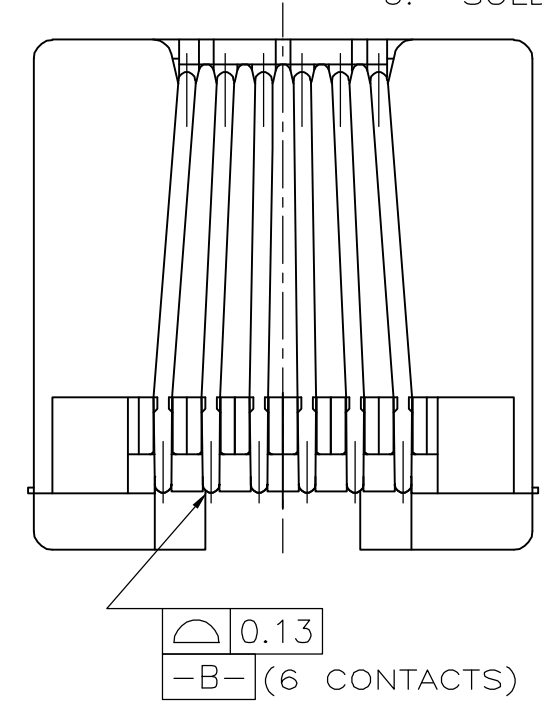
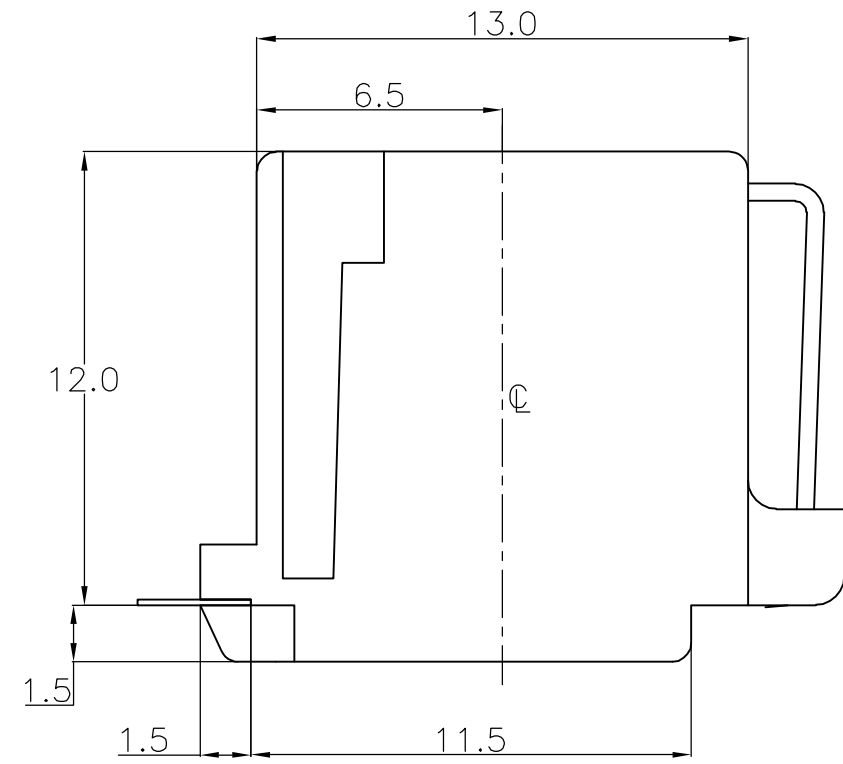
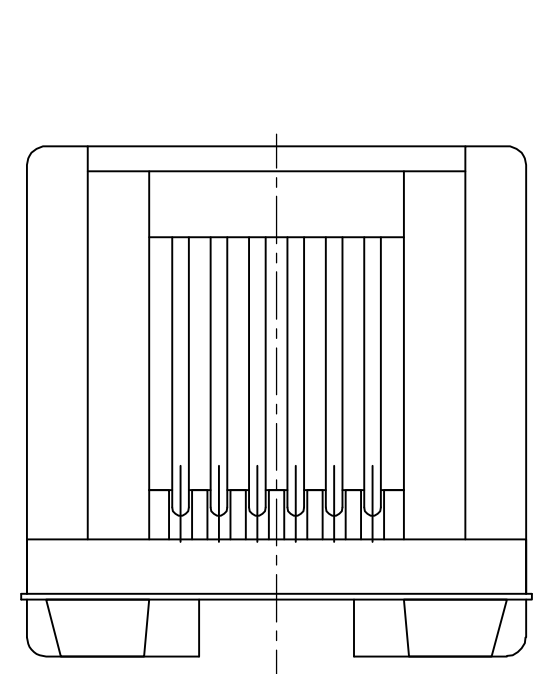


THIS DRAWING IS UNPUBLISHED. RELEASED FOR PUBLICATION
 © COPYRIGHT BY TYCO ELECTRONICS CORPORATION. ALL RIGHTS RESERVED.

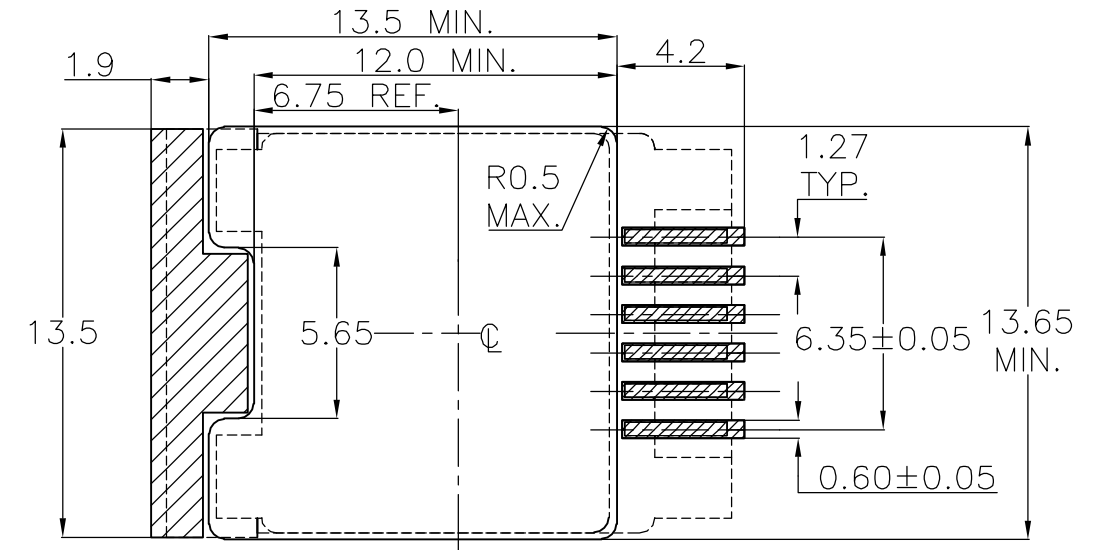
LOC	DIST	REVISIONS				
P	LTR	DESCRIPTION	DATE	DWN	APVD	
H	—	L	EH-1518-99	20-09-99	MVE	—
		M	ECR-06-013127	31-05-06	MO	—



- NOTES:
- TOLERANCES UNLESS OTHERWISE SPECIFIED: ±0.15
 - CONTACTS:
1.25µm MIN. GOLD OVER 1.25µm MIN. NICKEL IN CONTACT AREA.
2.0µm MIN. TIN OVER 1.25µm MIN. NICKEL ON SOLDER TINES.
 - HOUSING:
30% G.F. PA 4.6, COLOR BLACK, UL 94V-0 CONTACTS:
PHOSPHOR BRONZE
ADDITIONAL SOLDERJOINT:
TIN PLATED BRASS
 - MODULAR JACKS ARE DELIVERED TAPE MOUNTED ON REEL. SEE SHEET 2.
 - PRODUCT SPECIFICATION: 108-19117.
APPLICATION SPECIFICATION: 114-19041.
 - SOLDER PASTE THICKNESS 0,15mm (=0.006") MIN.



PRINTED CIRCUIT BOARD LAYOUT

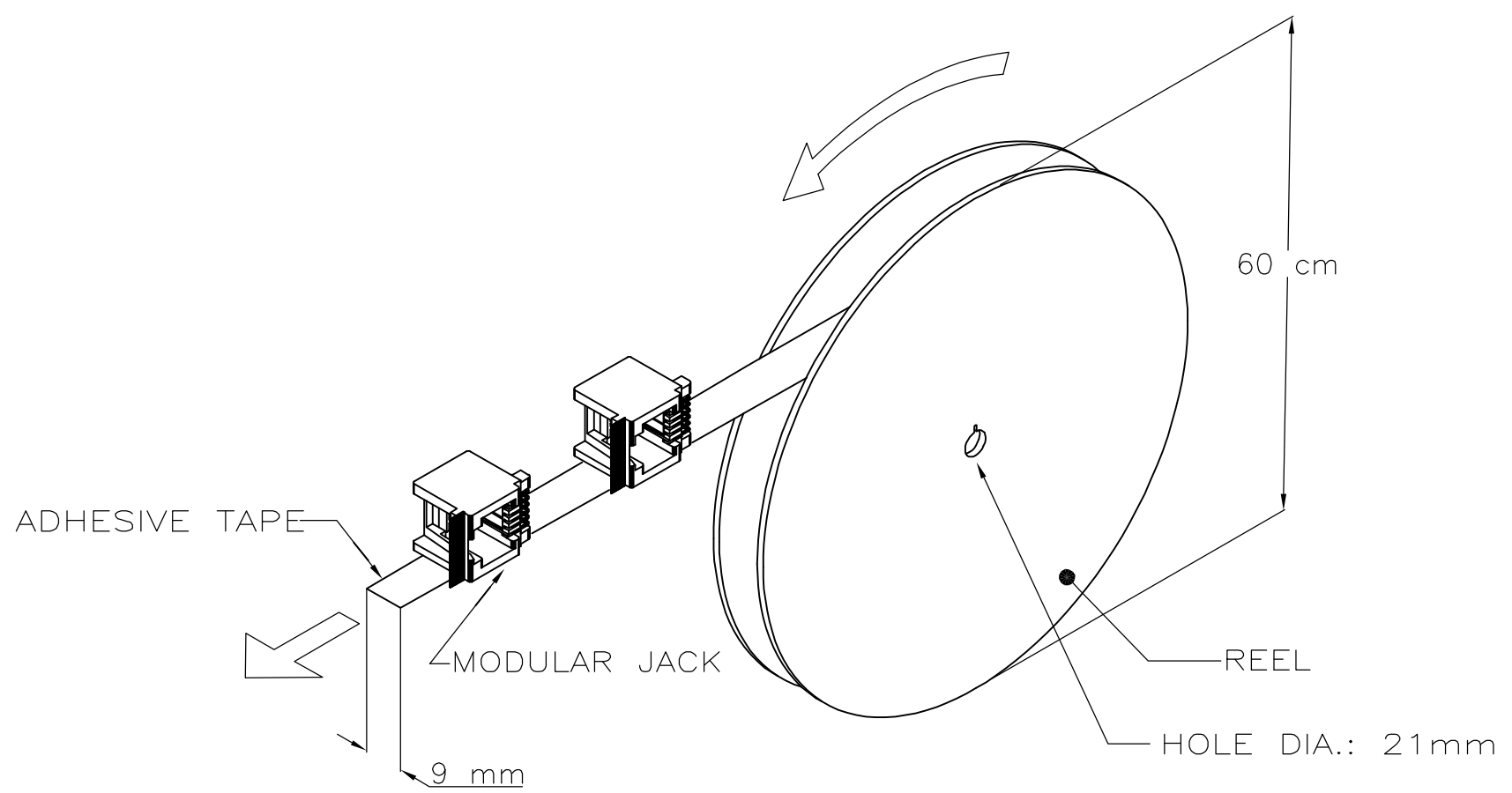


DESCRIPTION	FINISH	MATERIAL	PARTNUMBER
	2	3	SEE SHEET 2

THIS DRAWING IS A CONTROLLED DOCUMENT.		DWN D.CAMPSCHROER 27JAN92	Tyco Electronics Corporation s-HertogenBosch, Nederland,	
DIMENSIONS: MM		CHK W. BRUMMANS	NAME	
TOLERANCES UNLESS OTHERWISE SPECIFIED:		APVD L. van SOEST	MODULAR JACK, 6 POSITION BOTTOM ENTRY FOR SURFACE MOUNT APPLICATION	
0 PLC ± -		PRODUCT SPEC	SIZE	RESTRICTED TO
1 PLC ± -		APPLICATION SPEC	CAGE CODE	
2 PLC ± -		WEIGHT	DRAWING NO	
3 PLC ± -			A3 00779	C-100860
4 PLC ± -			SCALE	SHEET 1 OF 4
ANGLES ± -				REV M
FINISH				
SEE TABLE				
		CUSTOMER DRAWING		

THIS DRAWING IS UNPUBLISHED. RELEASED FOR PUBLICATION
 © COPYRIGHT - BY TYCO ELECTRONICS CORPORATION. ALL RIGHTS RESERVED.

LOC	DIST	REVISIONS					
H	-	P	LTR	DESCRIPTION	DATE	DWN	APVD
		-		SEE SHEET 1	-	-	-

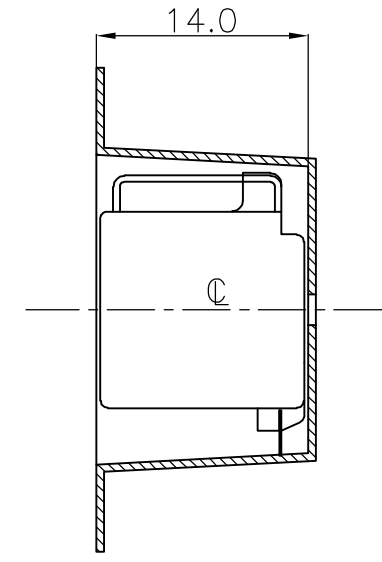
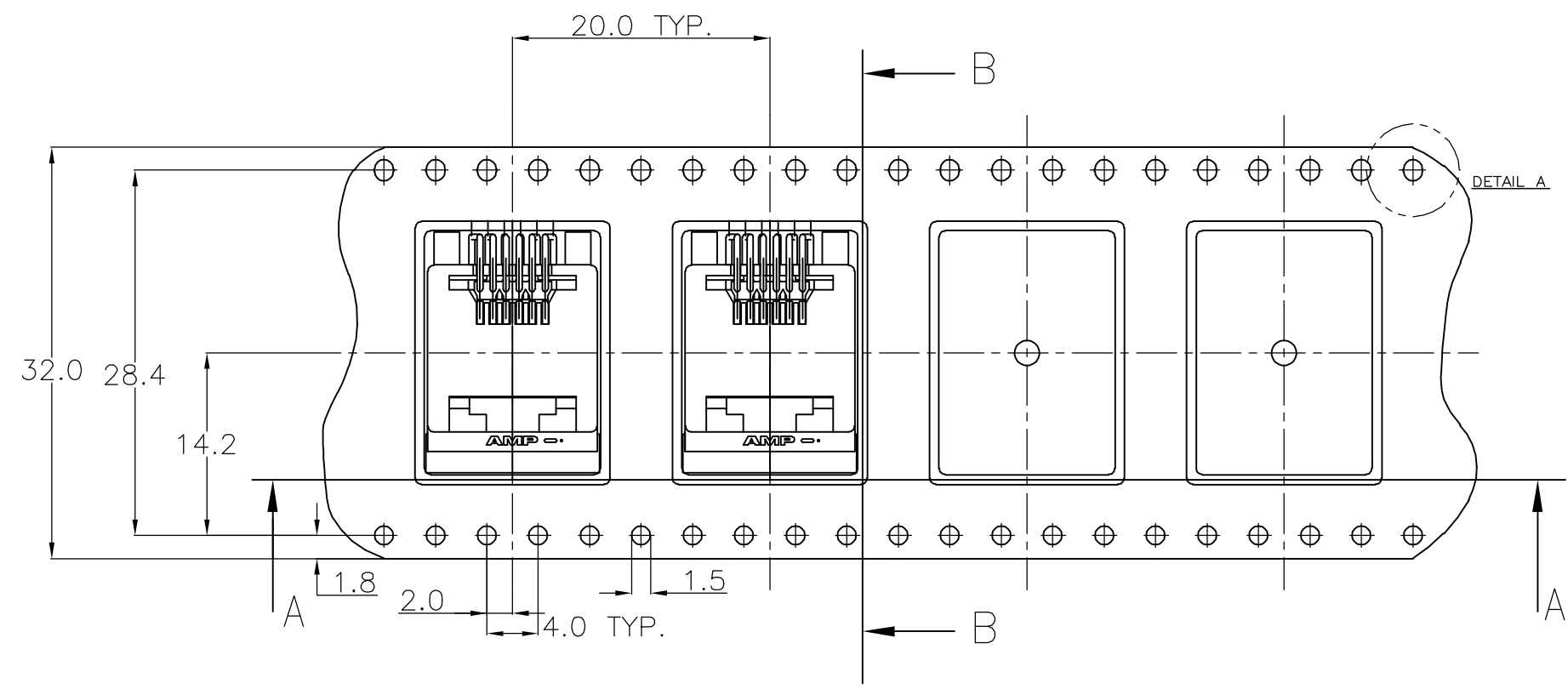


6 POS. / 6 CONTACTS	TAPE MOUNTED ON 60 cm. DIA. REEL (700 pcs/reel)	100860-1
DESCRIPTION	PACKAGING	PARTNUMBER

THIS DRAWING IS A CONTROLLED DOCUMENT.		DWN J. TUIN	06AUG93	tyco Electronics		Tyco Electronics Corporation s-HertogenBosch, Nederland,	
DIMENSIONS: MM		CHK W. BRUMMANS		NAME MODULAR JACK, 6 POSITION BOTTOM ENTRY FOR SURFACE MOUNT APPLICATION			
TOLERANCES UNLESS OTHERWISE SPECIFIED:		APVD L. van SOEST		PRODUCT SPEC		RESTRICTED TO	
0 PLC ± -				APPLICATION SPEC		SIZE	CAGE CODE
1 PLC ± -				WEIGHT		A3	00779
2 PLC ± -				CUSTOMER DRAWING		C=100860	
3 PLC ± -				SCALE		SHEET 2 OF 4	
4 PLC ± -				REV		M	
ANGLES ± -				REV		M	
FINISH				REV		M	
MATERIAL				REV		M	

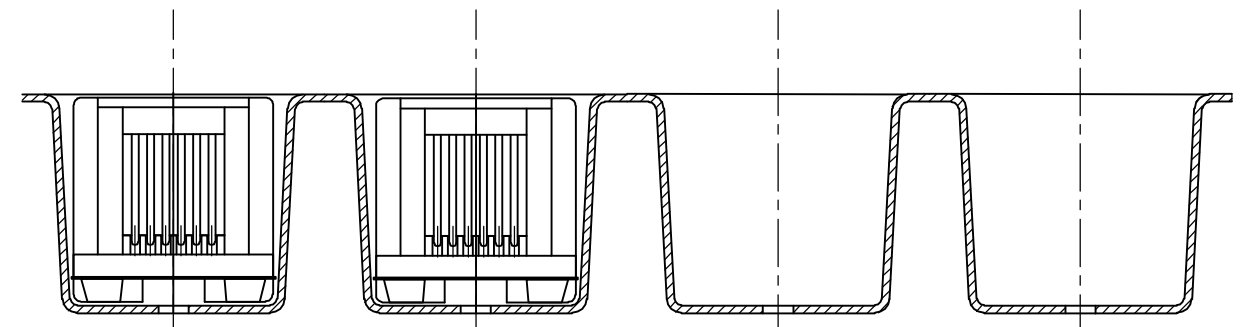
THIS DRAWING IS UNPUBLISHED. RELEASED FOR PUBLICATION
 © COPYRIGHT BY TYCO ELECTRONICS CORPORATION. ALL RIGHTS RESERVED.

LOC	DIST	REVISIONS			
P	LTR	DESCRIPTION	DATE	DWN	APVD
H	-	SEE SHEET 1	-	-	-

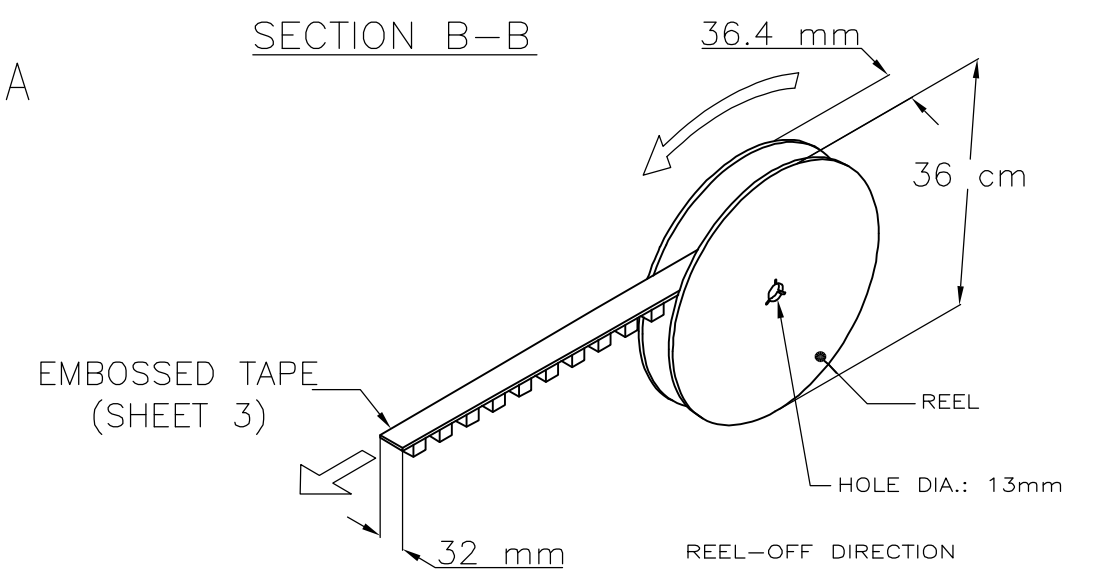


SECTION B-B

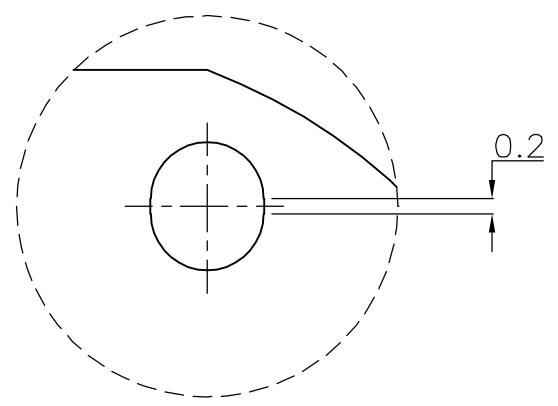
REEL OFF DIRECTION



SECTION A-A



EMBOSSSED TAPE (SHEET 3)



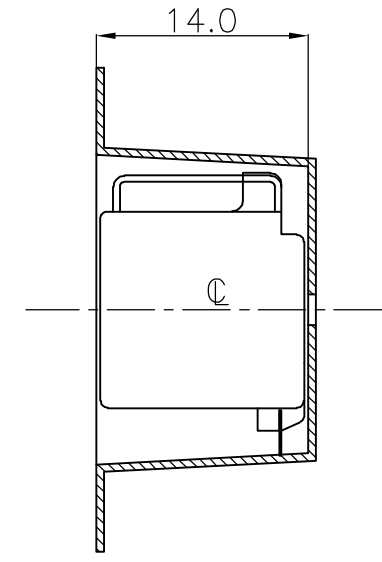
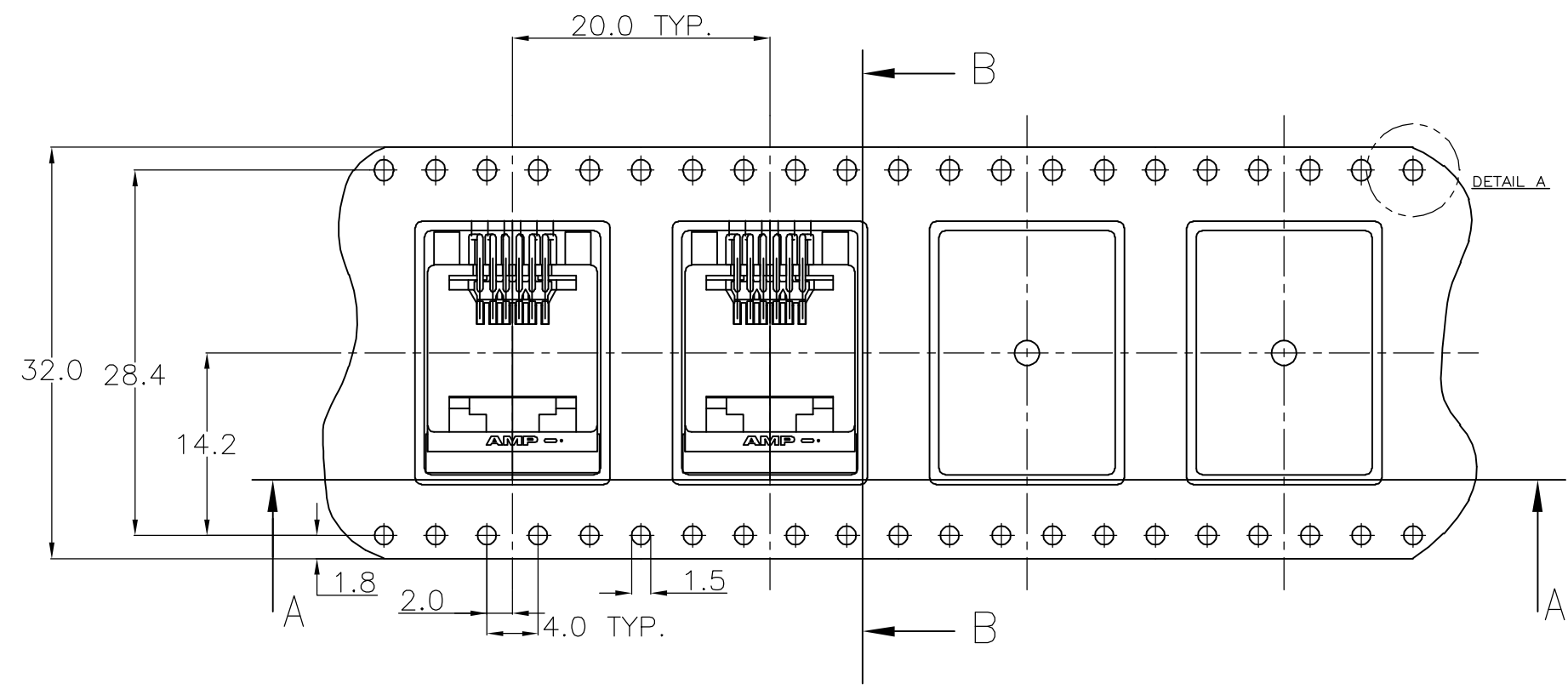
DETAIL A
 SCALE 10:1

6 POS. / 6 CONTACTS	EMBOSSSED TAPE ACC. TD EIA 481-3 (36 cm. DIA. REEL)(300 pcs/reel)	2-100860-1
DESCRIPTION	PACKAGING	PARTNUMBER

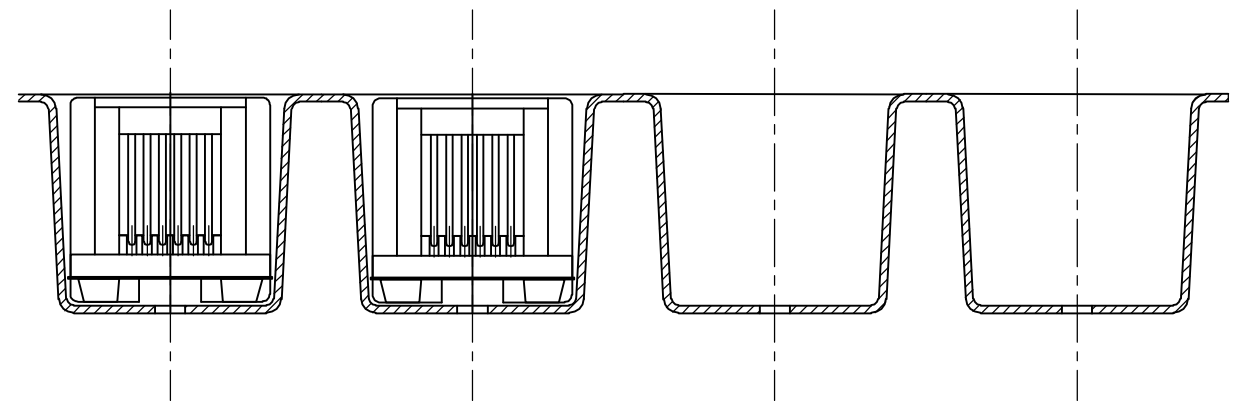
THIS DRAWING IS A CONTROLLED DOCUMENT.		DWN E. v. EIJK 03DEC96	Tyco Electronics Corporation s-HertogenBosch, Nederland,	
DIMENSIONS: MM		CHK E. STELLINGA		
TOLERANCES UNLESS OTHERWISE SPECIFIED:		APVD R. SMEETS	MODULAR JACK 6 POS. PACKAGING	
0 PLC ± -		PRODUCT SPEC	-	
1 PLC ± -		APPLICATION SPEC	-	
2 PLC ± -		WEIGHT	-	
3 PLC ± -		CUSTOMER DRAWING	SCALE	SHEET 3 OF 4
4 PLC ± -		FINISH	RESTRICTED TO	REV M
ANGLES ± -		SIZE	CAGE CODE	DRAWING NO
MATERIAL		FINISH	A3	00779
			C-100860	

THIS DRAWING IS UNPUBLISHED. RELEASED FOR PUBLICATION
 © COPYRIGHT - BY TYCO ELECTRONICS CORPORATION. ALL RIGHTS RESERVED.

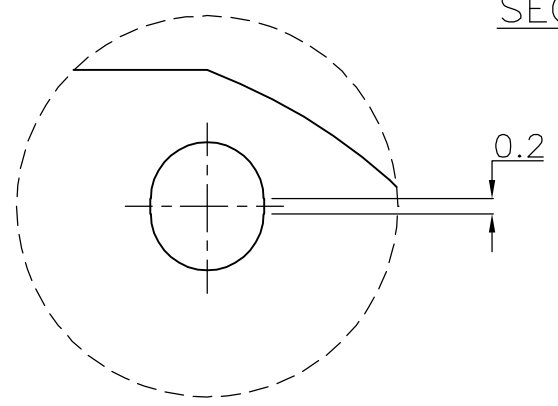
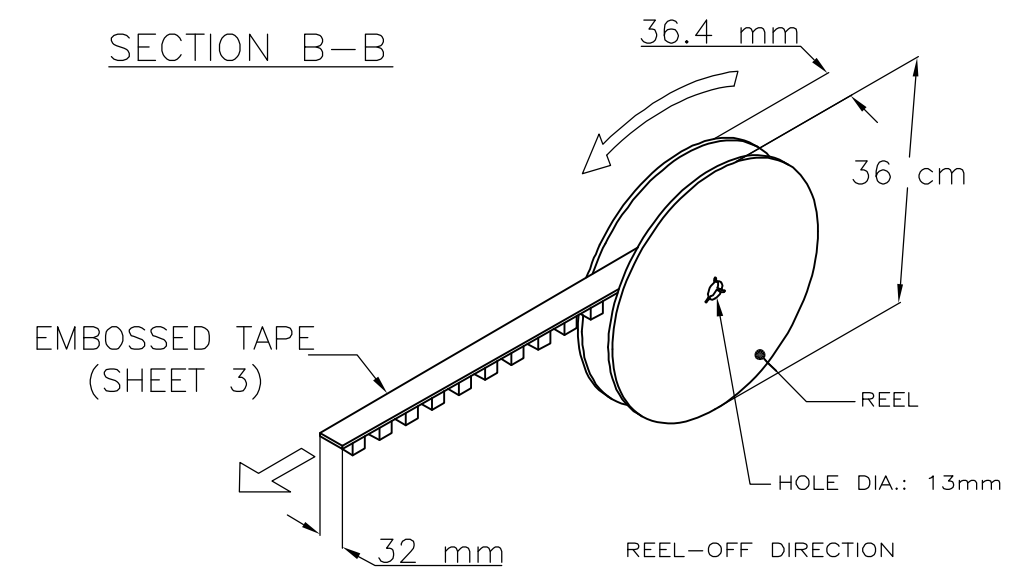
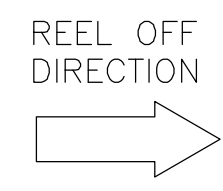
LOC	DIST	REVISIONS					
H	-	P	LTR	DESCRIPTION	DATE	DWN	APVD
		-		SEE SHEET 1	-	-	-



SECTION B-B



SECTION A-A



DETAIL A
SCALE 10:1

6 POS. / 6 CONTACTS	EMBOSSSED TAPE ACC. TD EIA 481-3 (36 cm. DIA. REEL)(300 pcs/reel)	3-100860-1
DESCRIPTION	PACKAGING	PARTNUMBER

THIS DRAWING IS A CONTROLLED DOCUMENT.		DWN E. v. EIJK 03DEC96	Tyco Electronics Corporation s-HertogenBosch, Nederland,	
DIMENSIONS: MM		CHK E. STELLINGA		
TOLERANCES UNLESS OTHERWISE SPECIFIED:		APVD R. SMEETS	MODULAR JACK 6 POS. PACKAGING	
0 PLC ± -		PRODUCT SPEC	-	
1 PLC ± -		APPLICATION SPEC	-	
2 PLC ± -		WEIGHT	-	
3 PLC ± -		SIZE	CAGE CODE	DRAWING NO
4 PLC ± -		A3 00779		C-100860
ANGLES ± -		RESTRICTED TO		
FINISH		-		
MATERIAL		-		
-		CUSTOMER DRAWING		SCALE - SHEET 4 OF 4 REV M